

API 610 OH5 PROCESS PUMPS

Amarinth OH5 J Series pumps for the Petrochemical, Chemical and Gas markets, are designed to API 610 11th edition specifications and are fully ATEX compliant. All API materials are available as standard, plus bespoke options including NACE compliant materials. Standard documentation, testing and NDT packs are offered. Alternatively bespoke packages can be tailored to fit your exact requirements.

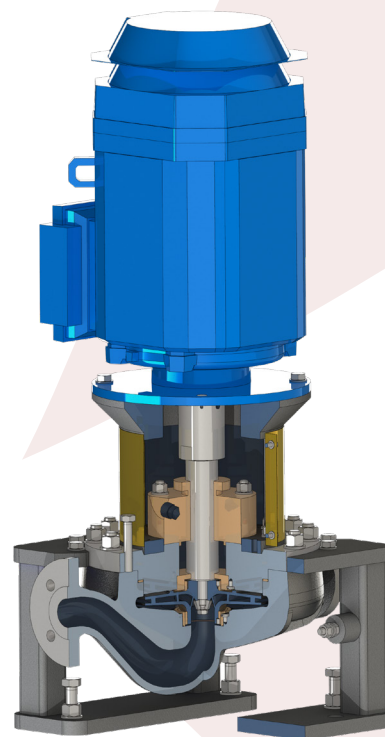


General description	A range of OH5 vertical in-line overhung pumps available as foot, frame or pipeline mounted variants and manufactured in a variety of alloys
Construction	Back pullout design with metal-to-metal fits
Design methodology	Advanced computer techniques, 3D modelling, FEA & CFD
Design standards	API 610 11th : 2010 / ISO 13709 : 2010 ATEX EC-Directive 2014/34/EU
Design pressure rating	51.8 barg @ 38°C
Suction pressure rating	3.5 barg (standard construction)
Temperature rating	-5°C to 120°C (standard construction)
Performance envelope	
Flowrate	Up to 500 m ³ /h
Differential head	Up to 240 m
Speed	Up to 3600 rpm
Configurations	Close-coupled pump
Frame sizes	040x025x145 to 200x150x510
Design life	30 years (3 years uninterrupted operation)

API 610 OH5 PROCESS PUMPS

key features

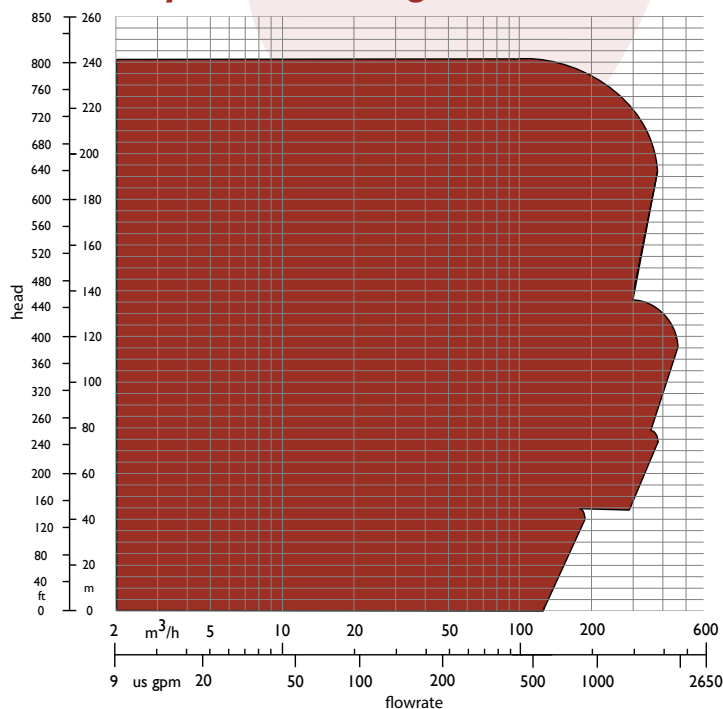
- OH5 single stage inline mounted centrifugal pumps
- 51 bar pumps to API 610 (11th edition) and ATEX compliance on application
- -5°C to 120°C temperature applications
- Shrouded or semi-open impellers
- A range of alloys available on request including NACE compliant materials
- Tested to API 610 / ISO 13709 procedures – head, flow, NPSH, noise, and vibration
- A range of API 682 seals and systems (PED compliant)



materials

Material Options	Casing	Impeller
A8 SS 316L / SS 316L	ASTM A351 CF 3M	ASTM A351 CF 3M
I1 Cast iron / Cast iron	ASTM A278 Class 30	ASTM A278 Class 30
S8 Carbon steel / SS 316L	ASTM A216 WCB	ASTM A217 CF 3M
S6 Carbon steel / 12% Cr SS	ASTM A216 WCB	ASTM A217 Gr CA15
D1 Duplex SS / Duplex SS	ASTM A890 Gr 4A (UNS J92205)	ASTM A890 Gr 4A (UNS J92205)
D2 Super Duplex SS / Super Duplex SS	ASTM A890 Gr 6A (UNS J93380)	ASTM A890 Gr 6A (UNS J93380)
Hastelloy B / Hastelloy B	ASTM A494 Gr N 7M	ASTM A494 Gr N 7M
Hastelloy C / Hastelloy C	ASTM A494 Gr CW 12MW	ASTM A494 Gr CW 12MW
Monel / Monel	ASTM A494 Gr M35 1	ASTM A494 Gr M35 1
Titanium / Titanium	ASTM B367 Gr C2	ASTM B367 Gr C2
Customer specified	Other alloys available on request including NACE compliant materials	Other alloys available on request including NACE compliant materials

J Series hydraulic coverage



typical applications

- Gas drum
- Lean ammine solution
- Hydrocarbon
- Produced water
- Oily water
- Sour water
- MEG water
- Sea water
- Booster pump



Amarinth

Bentwaters Parks, Rendlesham, Woodbridge,
Suffolk IP12 2TW, United Kingdom

tel: +44 (0)1394 462 120

fax: +44 (0)1394 462 130

e-mail: enquiries@amarinth.com

web: www.amarinth.com